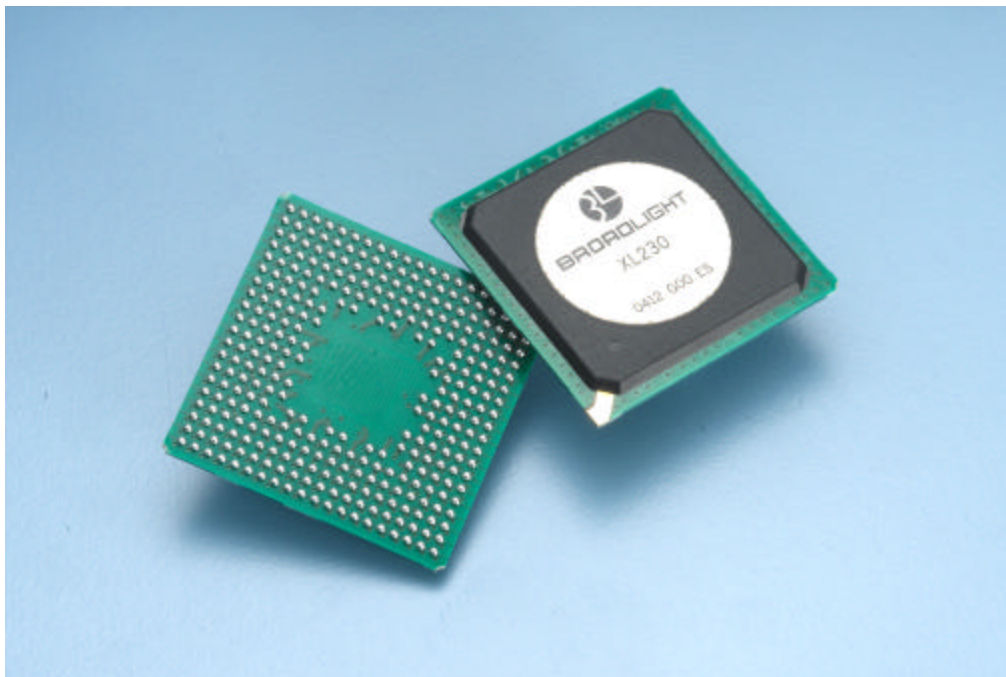


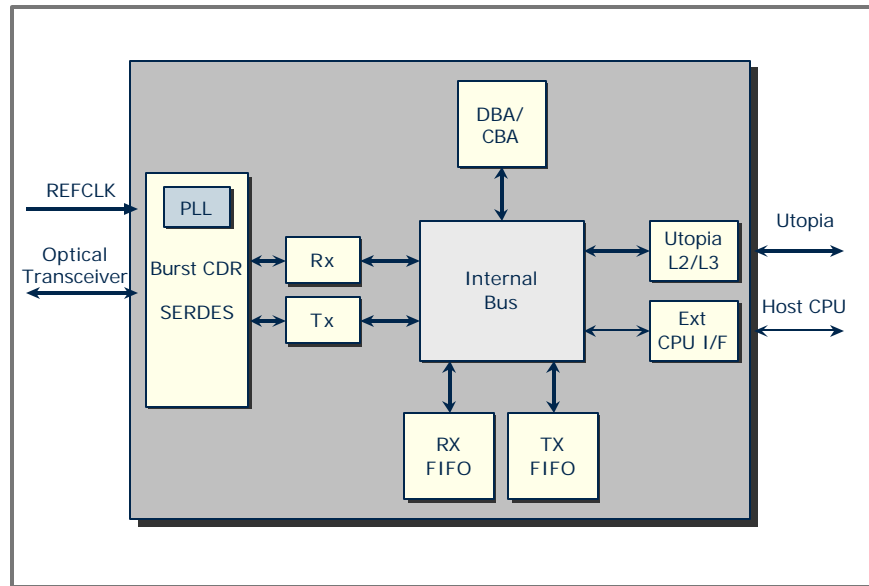
## **XL230 ASIC – BPON OLT Media Access Controller for FTTH/B/C**

### **Features:**

- ASIC for P2MP OLT controller to support up to 64 ONUs and 256 Traffic Containers
- Supports the following data rates:
  - Downstream: 1244/622/ 155 Mbps
  - Upstream: 622/155 Mbps
- Includes integrated Burst CDR and SERDES
- Provides the following Interfaces:
  - Full rate Utopia L2/L3 multi-PHY
  - GPIO
  - External CPU
  - Optical Burst Transceiver
  - JTAG
- Supports Utopia L3 multi-port bus
- Provides configurable size and content of upstream overhead bytes, of 3, 6 and 12 bytes.
- Provides an APON MAC fully compliant to G.983.1:
  - 64 ONUs
  - TC layer framing
  - Churning up to 4096 VPIs
  - Scrambling according to I.432.1
  - Physical Layer OAM (PLOAM)
  - Fault management
- Provides full support of G.983.4 (DBA):
  - 256 Traffic Containers (T-Conts)
  - 16 flexible-sized divided cells
  - Supports SR-ONUs and NSR-ONUs (via idle-cell monitoring)
- Provides Flexible bandwidth allocation schemes:
  - Integrated support of fixed/configured bandwidth allocation (CBA), or
  - Integrated support of Dynamic Bandwidth Allocation (DBA)
  - External support of Dynamic Bandwidth Allocation (DBA)
- Enables flexible clock source to ONUs of 0.3KHZ – 8KHZ via PLOAM SYNC bytes
- Provides enhanced integrated queue manager:
  - 8 FIFO queues with 256 cell buffers
  - Programmable queue size and watermark
- Dedicated connections for In-band management can be directed to external CPU.
- Full software support for most popular CPU and RTOS platforms.



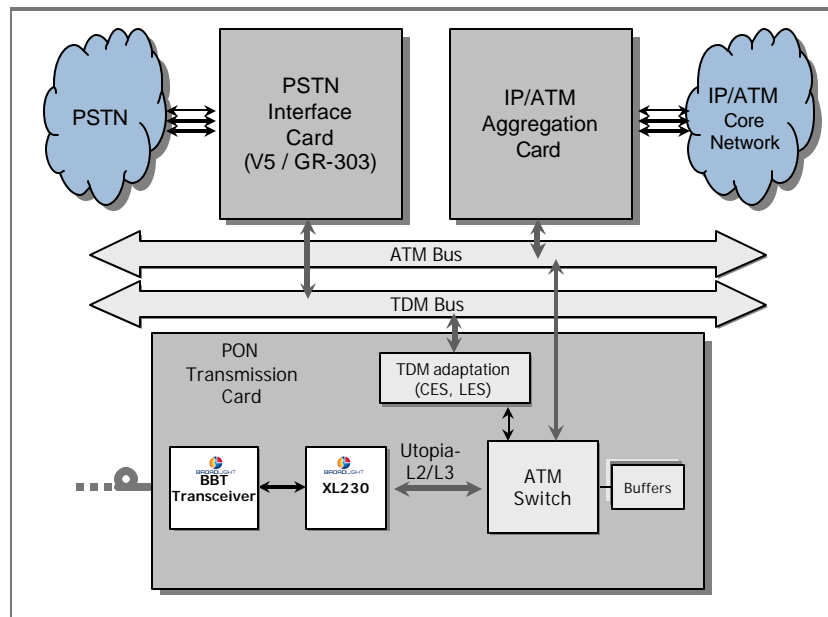
BroadLight Inc reserves the rights to change and alter this document without prior notice



**XL230 Block Diagram**

**Applications:**

- DSLAM/DLC/NG-DLC Traffic aggregators
- MSPP
- HFC Headend
- ATM edge nodes
- Broadband Access Servers (BRAS)



**Typical CO-located Multi-service aggregation node with XL230 in OLT card**

BroadLight Inc reserves the rights to change and alter this document without prior notice